

# SHADELITE SUNSCREENS



Shadelite Shade Screens

---

[www.cvsgroup.com.au](http://www.cvsgroup.com.au)

CVS Shadelite Shade Screens are an extruded louvre system made from high quality aluminium swaged together to make a durable, lightweight screen.

They can be utilised as trafficable access to building facades or as interior mechanical ventilation. They can be installed either horizontally or vertically and can be either connected directly to building structures or cantilevered with outrigger supports.

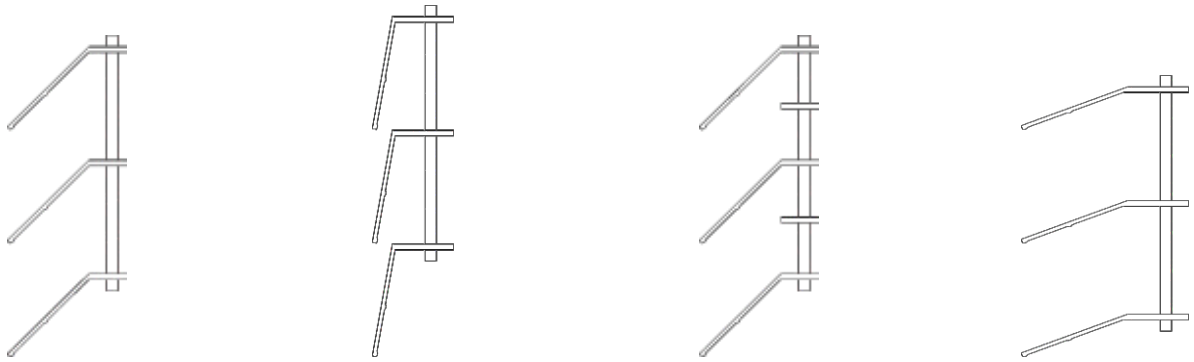


## Most common uses for CVS Shadelite Shade Screens are:

- Trafficable Building Access Sunshades
- Privacy Screens
- Interior Mechanical Ventilation Grilles
- Vertical Feature Screens
- Horizontal Sunscreens
- Security Screens



CVS Shadelite Shade Screens can be coated in a range of different finishes to suite specific requirements, including warranty and custom colour powder coat through to bright coloured anodising.



|                 |         |
|-----------------|---------|
| <b>203/45SD</b> | 20 x 45 |
| <b>203/60SD</b> | 20 x 60 |
| <b>203/80SD</b> | 20 x 80 |
| <b>323/60SD</b> | 32 x 60 |
| <b>323/80SD</b> | 32 x 80 |
| <b>403/60SD</b> | 40 x 60 |

|                     |
|---------------------|
| <b>323/60/100SD</b> |
| <b>32 x 60</b>      |

|                  |         |
|------------------|---------|
| <b>203/60SDT</b> | 20 x 60 |
| <b>203/80SDT</b> | 20 x 80 |
| <b>323/60SDT</b> | 32 x 60 |
| <b>323/80SDT</b> | 32 x 80 |
| <b>403/60SDT</b> | 40 x 60 |

|                     |
|---------------------|
| <b>323/60/160SD</b> |
| <b>32 x 60</b>      |



Louvre & Sunscreen Specialists

☎ 02 8796 3000  
✉ [sales@cvsgroup.com.au](mailto:sales@cvsgroup.com.au)

[www.cvsgroup.com.au](http://www.cvsgroup.com.au)